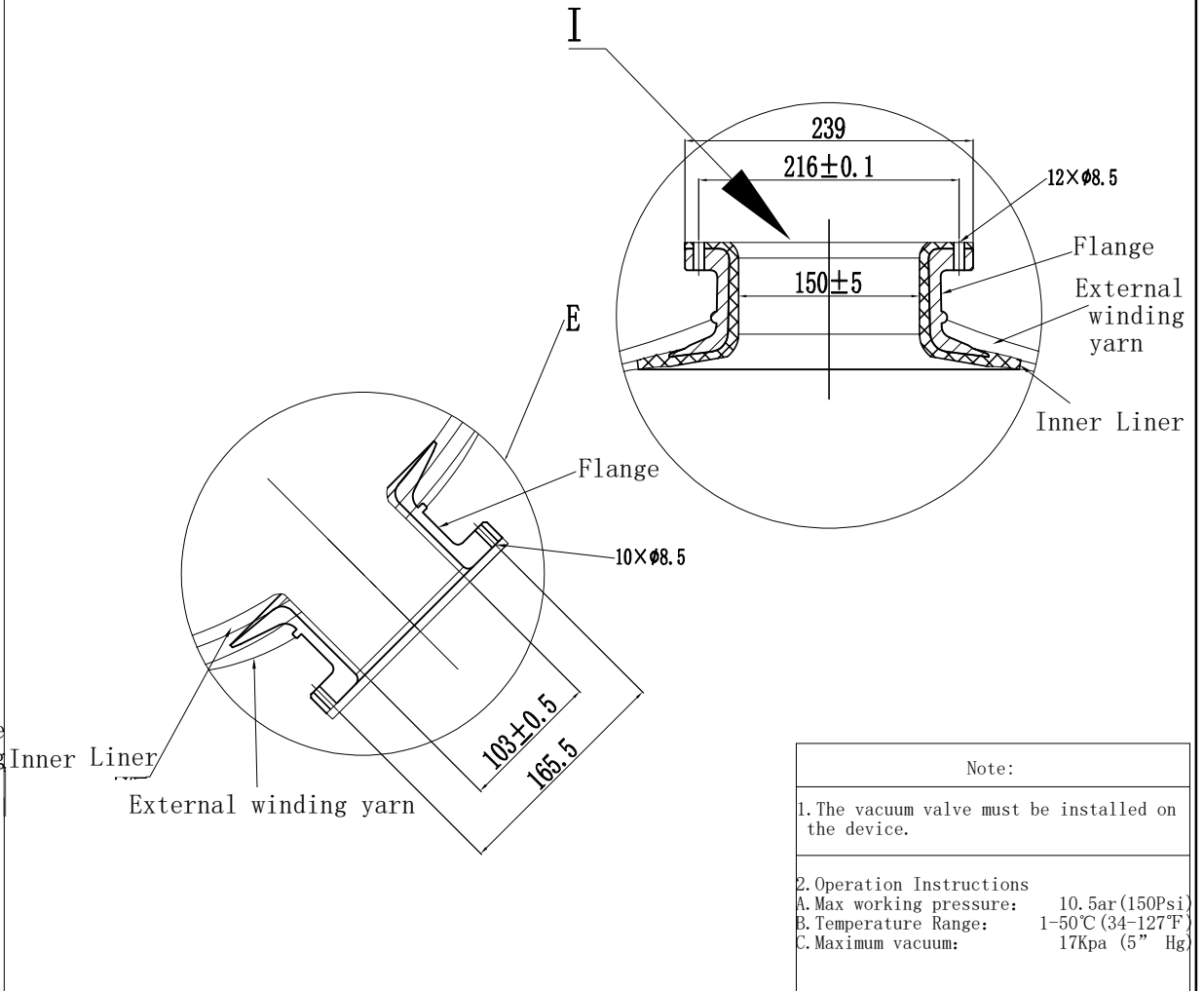


Technical Parameters

Model	Opening Size	VOL (Ltrs.)	Size Parameters (mm)											Base	Weight (kg)
			D1	D	H±30	H1	H2	L	F	WA	WLA	WB	WLB		
63×67	T/B 6"	2629.8	1609	1600	2110	1865	565	535	100	25	15	18	7	Triangular	227±15
63×86	T/B 6"-D	3424.5	1609	1600	2460	2215	905	535	100	25	16.6	18	8.6	Triangular	269±15



Note:

- The vacuum valve must be installed on the device.
- Operation Instructions
 - A. Max working pressure: 10.5ar (150Psi)
 - B. Temperature Range: 1-50°C (34-127°F)
 - C. Maximum vacuum: 17Kpa (5" Hg)

Remark

- Product type identification see outer packaging logo.
- The product color is consistent with the color of the tape packaging box.

Sign			Hebei Chengda WaterTechnology Co., Ltd.		
	Signature	Date	Material:	FRP	Projection:
Designer	Chengyang Sun	2024. 7. 16	Model:	63",6"T/B with 4-inch discharge port	Name: FRP tank
Review	Jingwei Hu	2024. 7. 18	Version number:	00	Drawing No. : CD-22-09-28/117
Approve			Description of Change Version:		