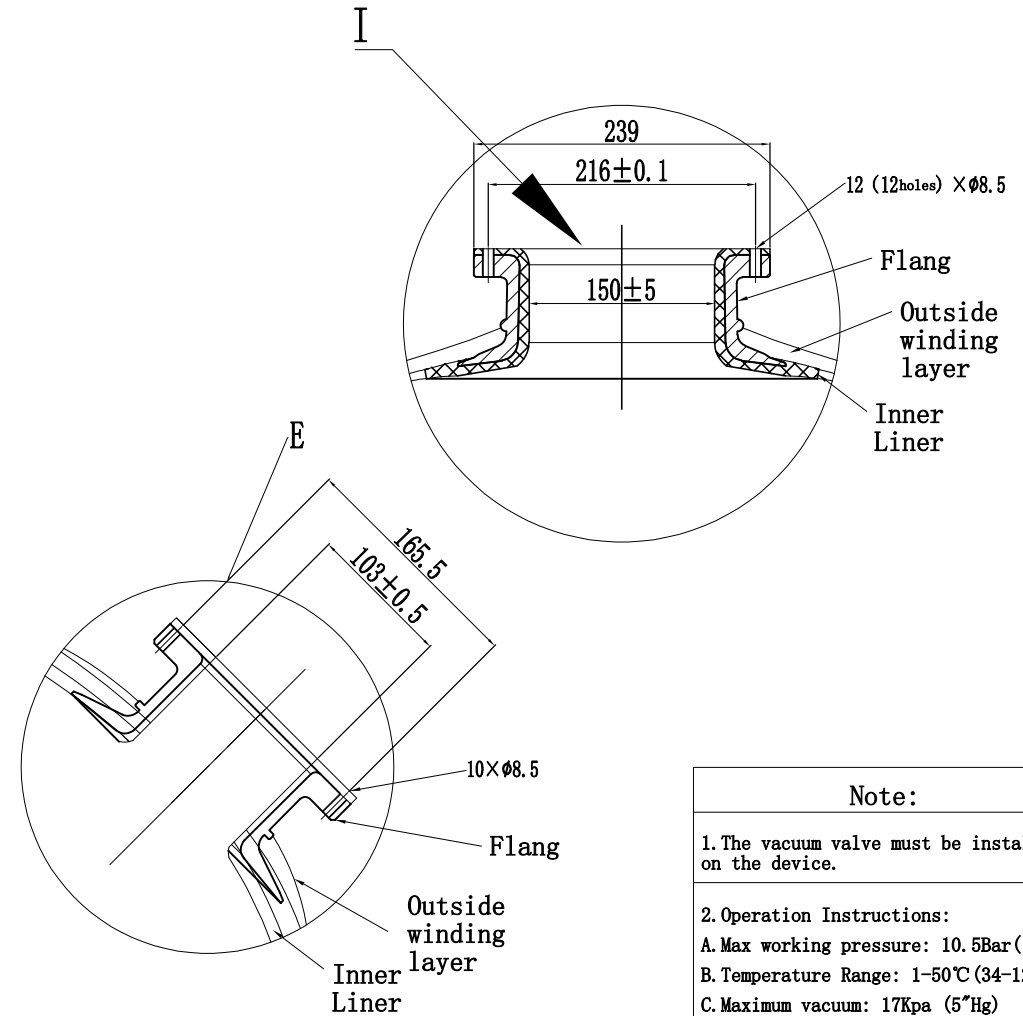
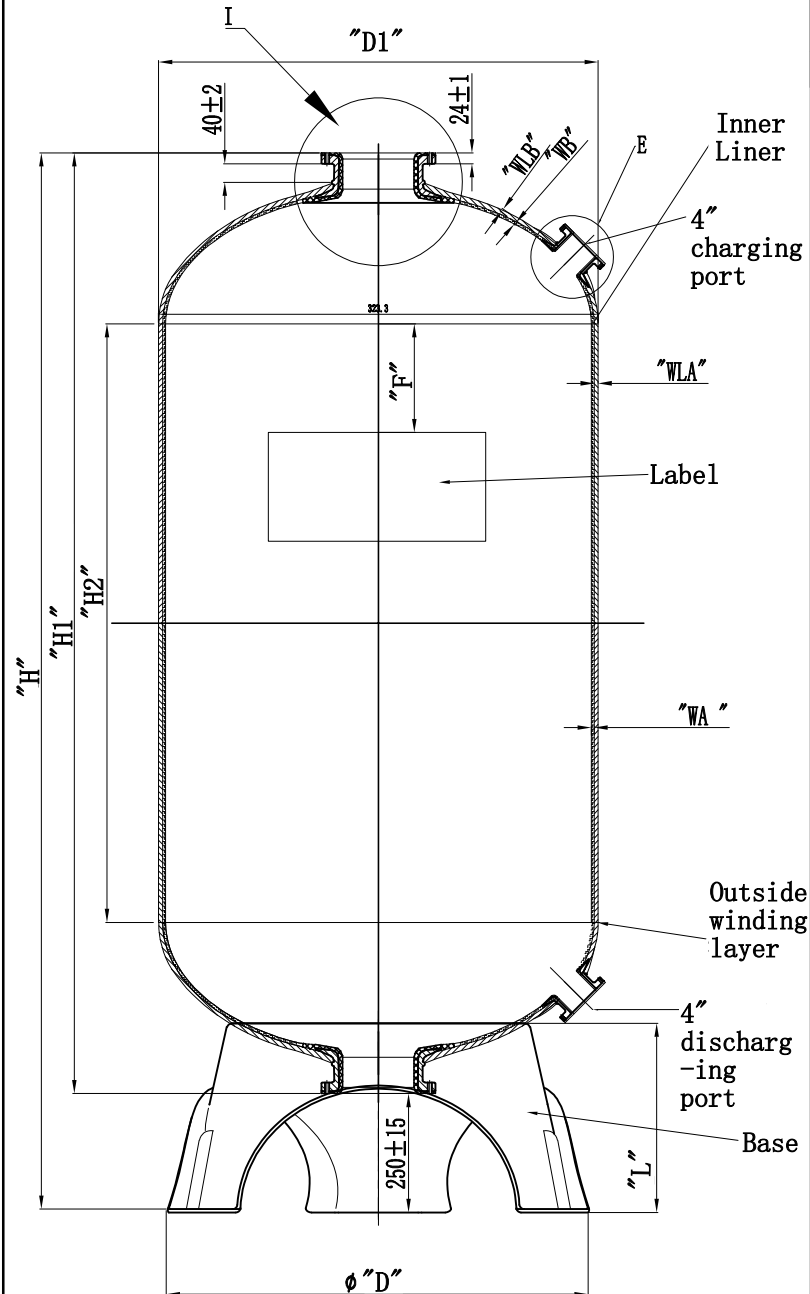


Technical Parameters

Model	Opening Size	VOL (Ltrs.)	Size Parameters (mm)											Base	Weight (kg)
			D1	D	H±30	H1	H2	L	F	WA	WLA	WB	WLB		
60×79	6079-6-6-U-D	3011.5	1479	1500	2425	2188	1165	510	100	25	16.6	18	8.6	Triangular	235±13



Note:

- The vacuum valve must be installed on the device.
- Operation Instructions:
 - A. Max working pressure: 10.5Bar (150Psi)
 - B. Temperature Range: 1-50°C (34-127°F)
 - C. Maximum vacuum: 17Kpa (5"Hg)

Remark

- Product type identification see outer packaging logo.
- The product color is consistent with the color of the tape packaging box.

Sign		Hebei Chengda WaterTechnology Co., Ltd.	
Signature	Date	Material:	Projection:
Designer Chengyang Sun	2024. 7. 16	FRP	Name: FRP tank
Review Jingwei Hu	2024. 7. 18	Model: 60", 6"/B-4" upper and lower, charge and discharge port	Drawing No. CD-22-03-31/111
Approve		Version number: 00 Description of Change Version	
Please don't measure the size of the drawing		Unit: mm	1 Page Page 1