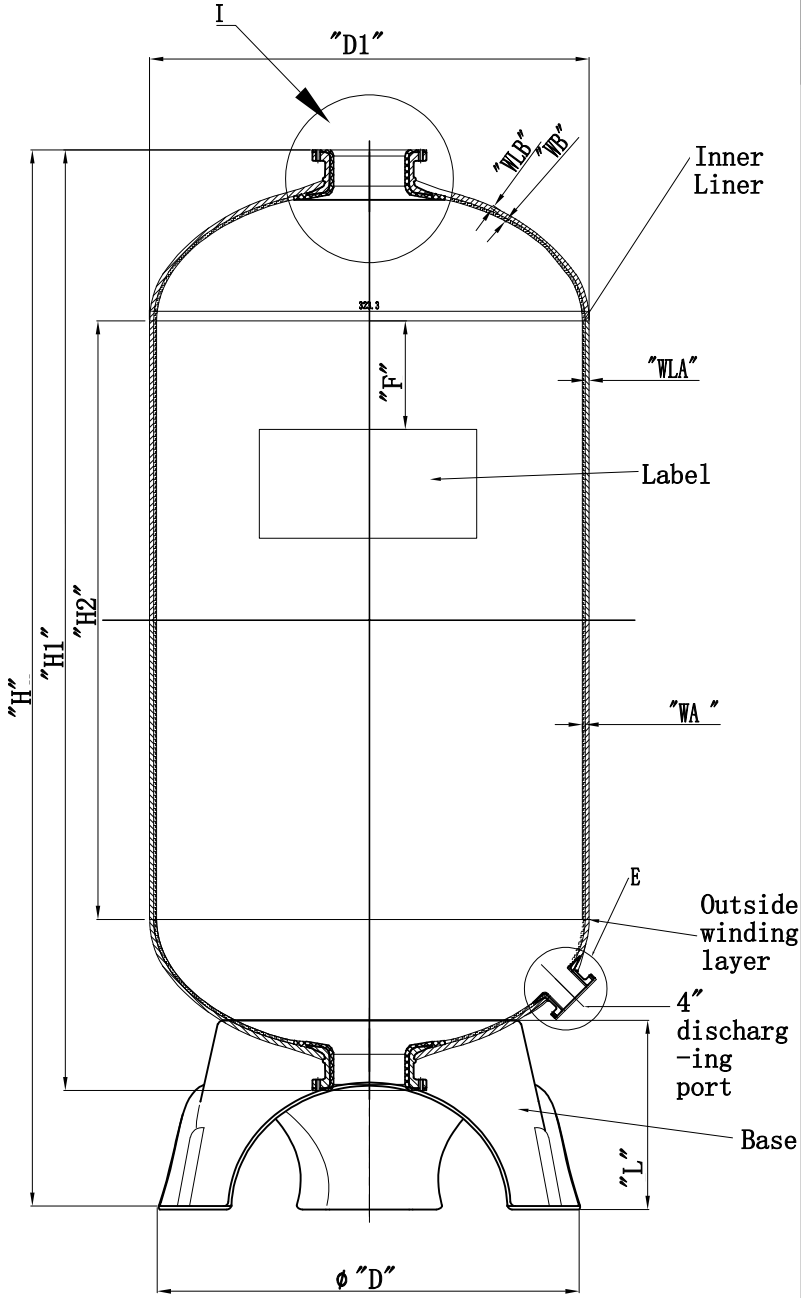
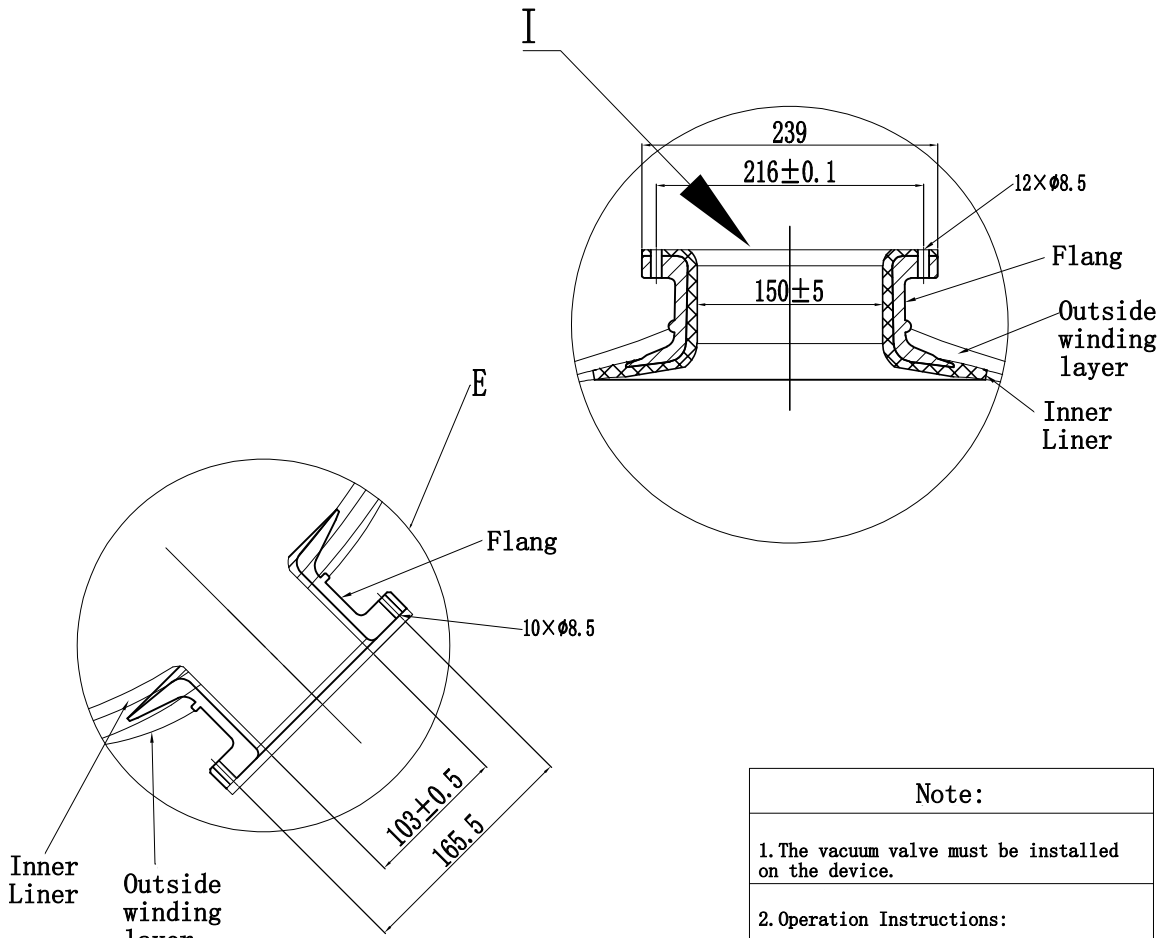


Technical Parameters

| Model | Opening Size | VOL (Ltrs.) | Size Parameters (mm) | | | | | | | | | | | Base | Weight (kg) |
|-------|--------------|----------------|----------------------|------|------|------|------|-----|-----|----|------|----|-----|------------|----------------|
| | | | D1 | D | H±30 | H1 | H2 | L | F | WA | WLA | WB | WLB | | |
| 60×79 | 6079-6-6-D | 3011.5 | 1479 | 1500 | 2425 | 2188 | 1165 | 510 | 100 | 25 | 16.6 | 18 | 8.6 | Triangular | 231±13 |



Remark
 1. Product type identification see outer packaging logo.
 2. The product color is consistent with the color of the tape packaging box.



Note:

- The vacuum valve must be installed on the device.
- Operation Instructions:
 A. Max working pressure: 10.5Bar (150Psi)
 B. Temperature Range: 1-50°C (34-127°F)
 C. Maximum vacuum: 17Kpa (5"Hg)

| Sign | | | Hebei Chengda WaterTechnology Co.,Ltd. | | |
|----------|---------------|-------------|--|------------------------------------|-----------------------------|
| | Signature | Date | Material: | FRP | Projection: |
| Designer | Chengyang Sun | 2024. 7. 16 | Model: | 60", 6"T/B-4" lower discharge port | Name: FRP tank |
| Review | Jingwei Hu | 2024. 7. 18 | Version number: 00 | Description of Change Version | Drawing No. CD-22-03-31/109 |
| Approve | | | Please don't measure the size of the drawing | | Unit: mm 1 Page Page 1 |