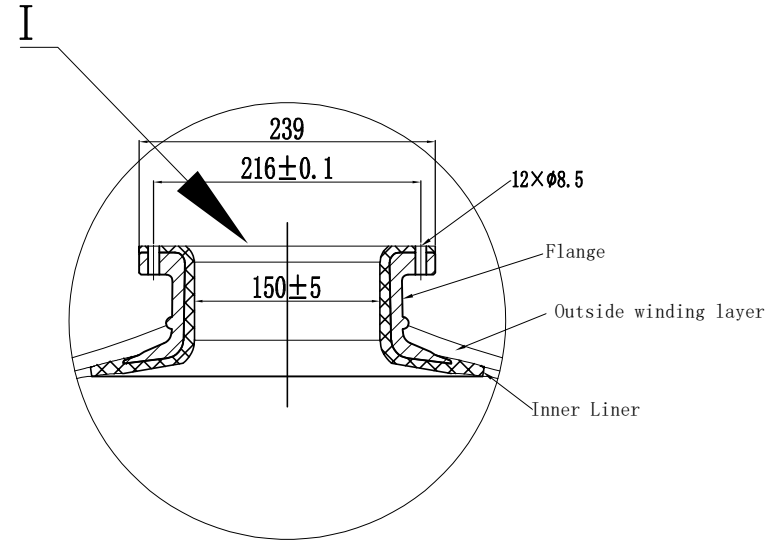
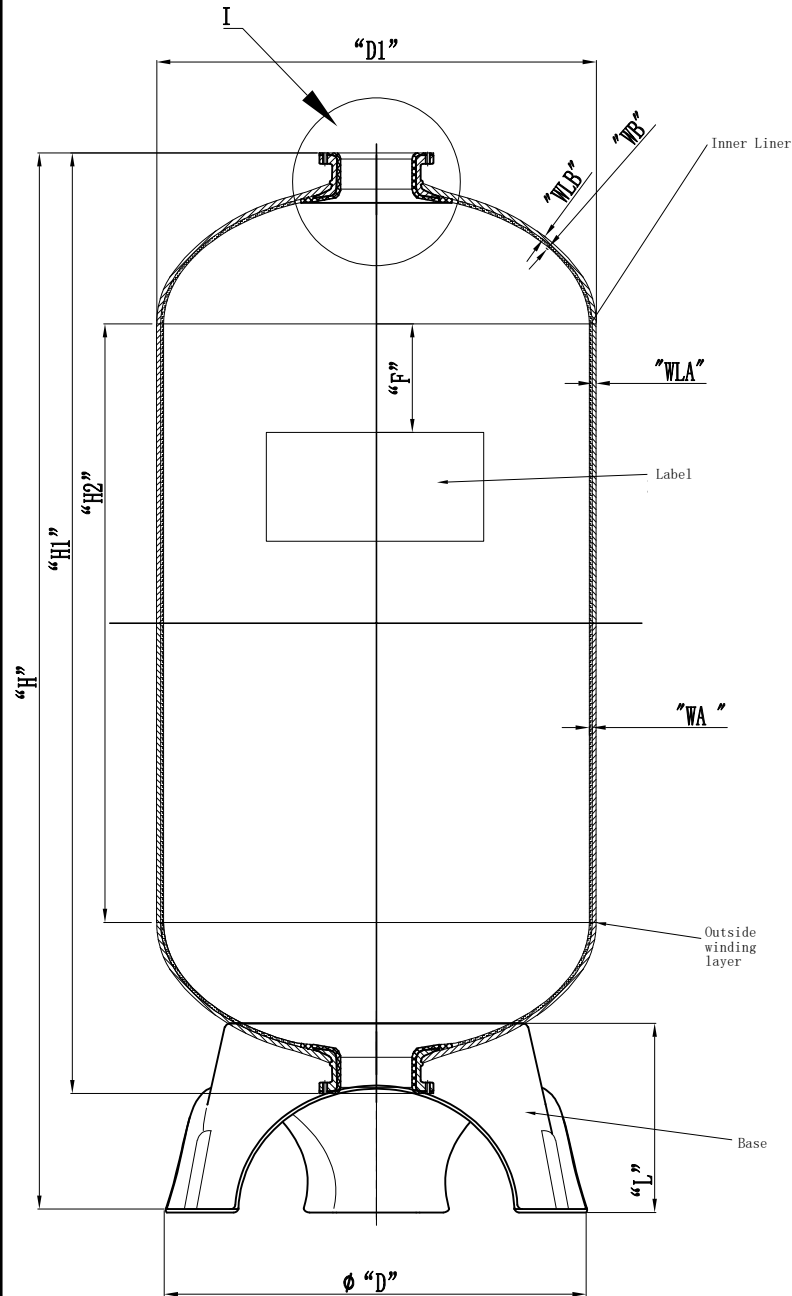


Technical Parameters

Model	Opening Size	VOL (Ltrs.)	Size Parameters (mm)											Base	Weight (kg)
			D1	D	H±30	H1	H2	L	F	WA	WLA	WB	WLB		
42×72	T/B 6"	1387.5	1070	1066	2200	1990	1100	451	100	15	8	12.5	4	Triangular	112±8



Note

1. The vacuum valve must be installed on the device.

2. Operation Instructions
 A. Max working pressure: 8bar (125Psi)
 B. Temperature Range: 1-50°C (34-127°F)
 C. Maximum vacuum: 17Kpa (5" Hg)

Remark

- Product type identification see outer packaging logo.
- The product color is consistent with the color of the tape packaging box.

Sign			Hebei Chengda WaterTechnology Co., Ltd.			
	Signature	Date	Material	FRP	Projection	
Designer	Chengyang Sun	2024. 7. 16	Model	42" up and down 6"	Name: FRP tank	
Review	Jingwei Hu	2024. 7. 18	Version number: 00	Description of Change Version	Drawing No. CD-22-09-27/01	
Approve			Please don't measure the size of the drawing		Unit: mm	1 Page Page 1