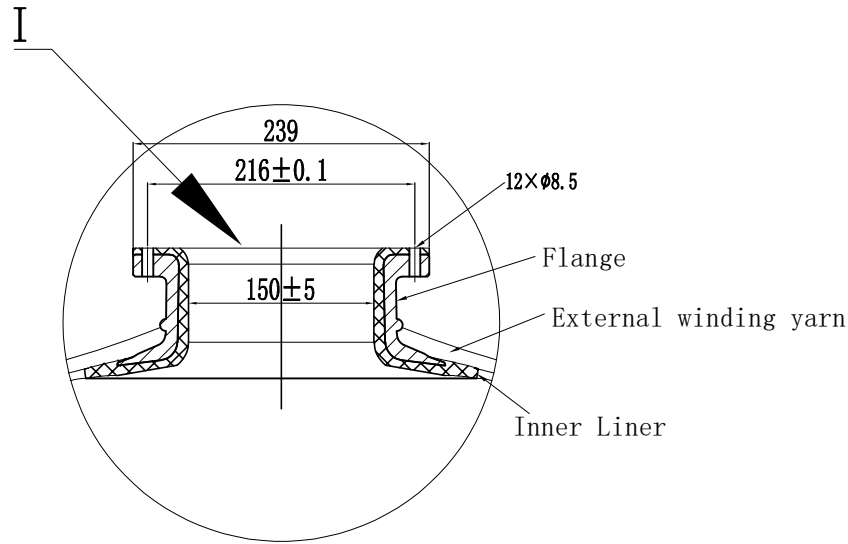
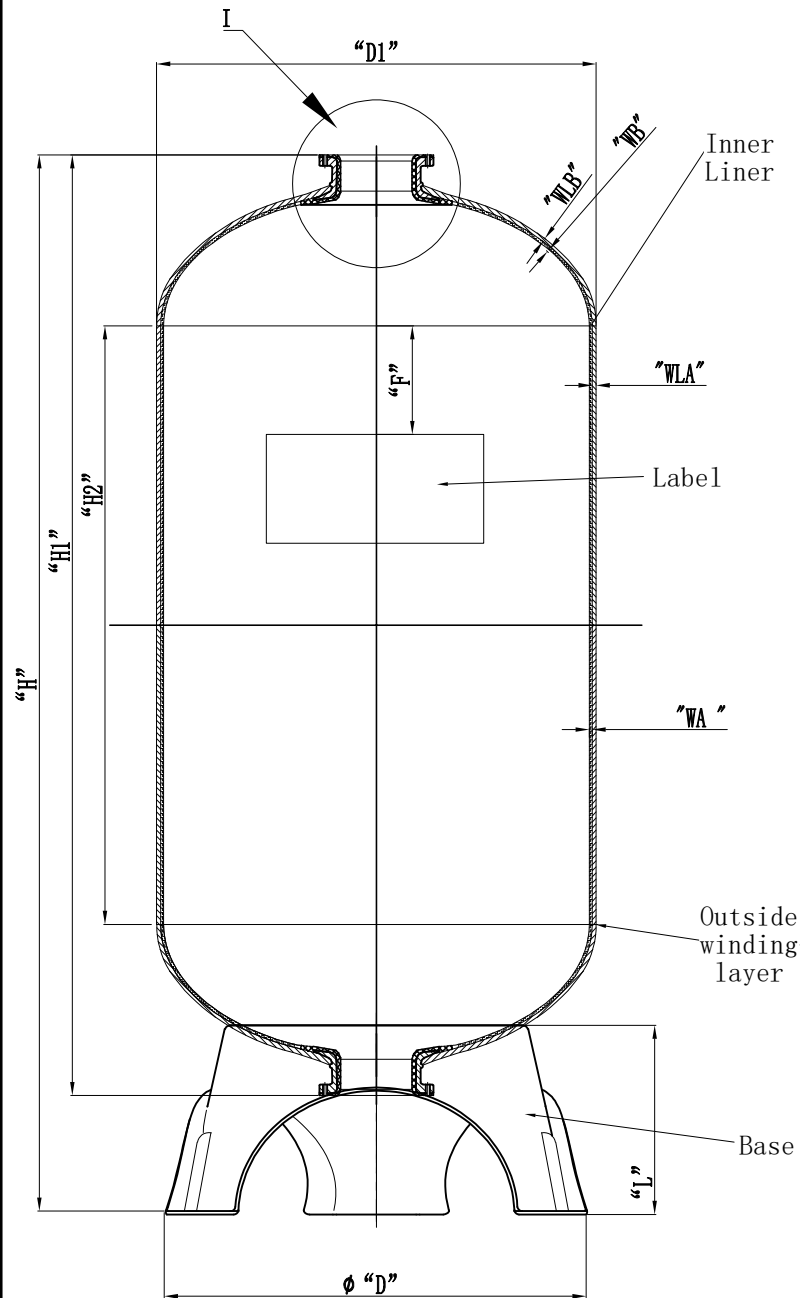


Technical Parameters

Model	Opening Size	VOL (Ltrs.)	Size Parameters (mm)											Base	Weight (kg)
			D1	D	H±25	H1	H2	L	F	WA	WLA	WB	WLB		
40×65	T/B 6"	1087.1	988	1000	2040	1810	1065	438	100	15	8	11	4	Triangular	102±7
40×79	T/B6"	1257.5	988	1000	2360	2130	1420	438	100	15	8	11	4	Triangular	118±7



Note:

1. The vacuum valve must be installed on the device.

2. Operation Instructions  
 A. Max working pressure: 10.5Bar (150Psi)  
 B. Temperature Range: 1-50°C (34-127°F)  
 C. Maximum vacuum: 17Kpa (5" Hg)

Remark  
 1. Product type identification see outer packaging logo.  
 2. The product color is consistent with the color of the tape packaging box.

Sign			Hebei Chengda WaterTechnology Co., Ltd.			
Designer	Signature Chengyang Sun	Date 2024. 7. 16	Material:	FRP	Projection:	
Review	Jingwei Hu	2024. 7. 18	Model:	40", 6"T/B	Name:	FRP tank
Approve			Version number:	00	Description of Change Version:	Drawing No. : CD-22-09-28/89
Please don't measure the size of the drawing.			Unit:	mm	1 Page Page 1	