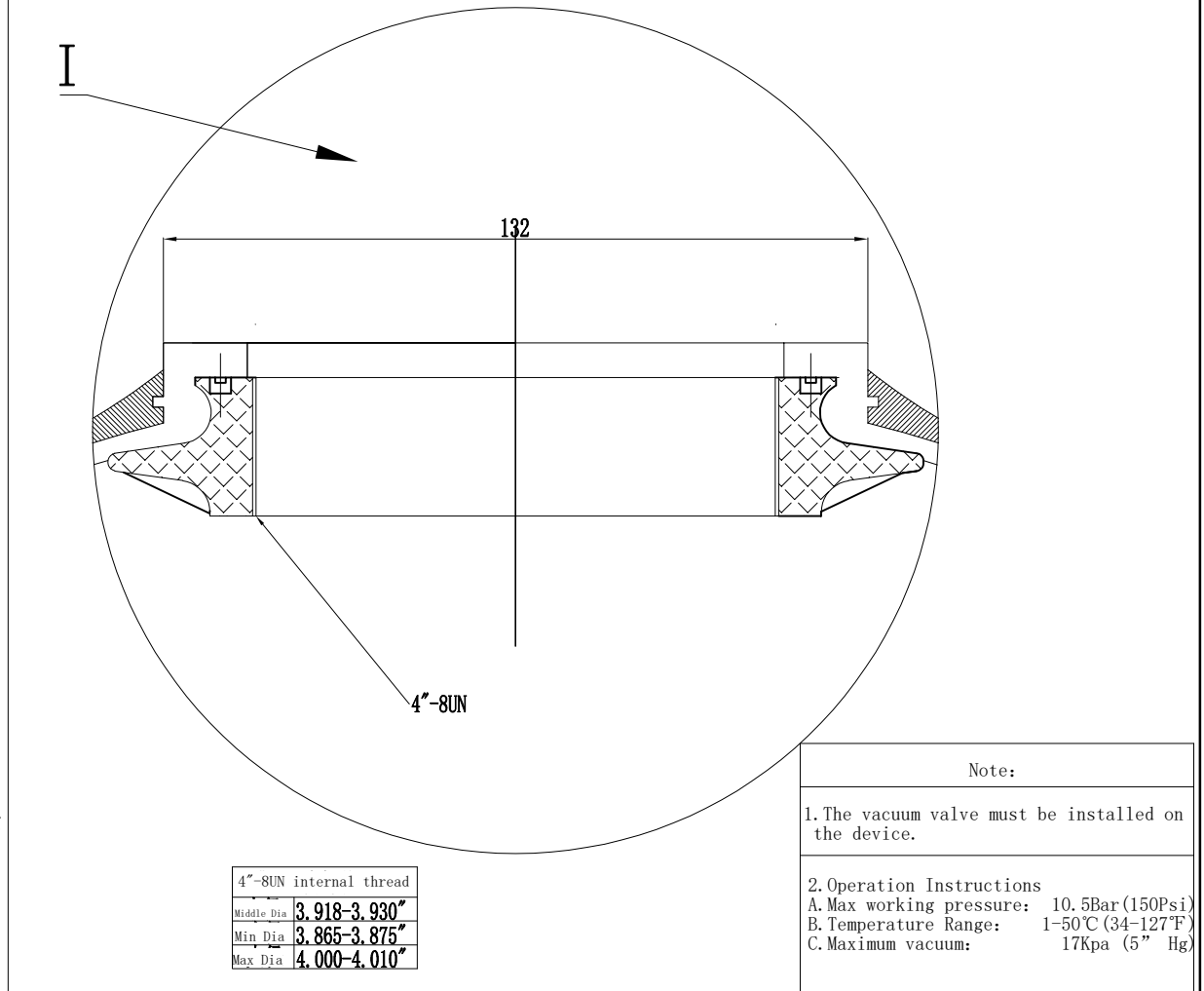


Technical Parameters															
Model	Opening Size	VOL (Ltrs.)	Size Parameters (mm)											Base	Weight (kg)
			D1	D	H±25	H1	H2	L	F	WA	WLA	WB	WLB		
40×65	T/B 4"	1087.1	988	1000	1950	1650	1065	438	100	15	8	11	4	Triangular	97±7
40×79	T/B 4"	1257.5	988	1000	2310	2010	1400	438	100	15	8	11	4	Triangular	113±7



4"-8UN internal thread	
Middle Dia	3.918-3.930"
Min Dia	3.865-3.875"
Max Dia	4.000-4.010"

Note:

- The vacuum valve must be installed on the device.
- Operation Instructions  
 A. Max working pressure: 10.5Bar (150Psi)  
 B. Temperature Range: 1-50°C (34-127°F)  
 C. Maximum vacuum: 17Kpa (5" Hg)

Remark

- Product type identification see outer packaging logo.
- The product color is consistent with the color of the tape packaging box.

Sign		Hebei Chengda WaterTechnology Co., Ltd.			
	Signature	Date	Material:	FRP	Projection:
Designer	Chengyang Sun	2024. 7. 16	Model:	40", 4"T/B	Name: FRP tank
Review	Jingwei Hu	2024. 7. 18	Version number: 00	Description of Change Version:	Drawing No.: CD-22-09-28/88
Approve			Please don't measure the size of the drawing.		Unit: mm 1 Page Page 1