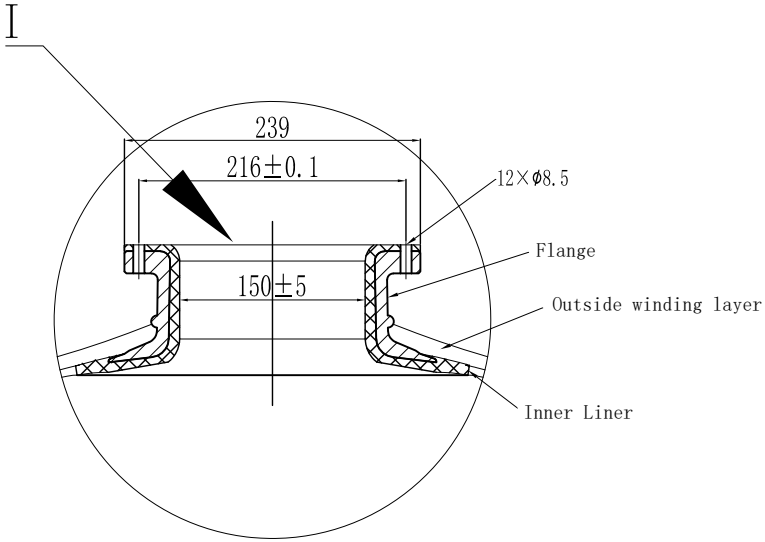
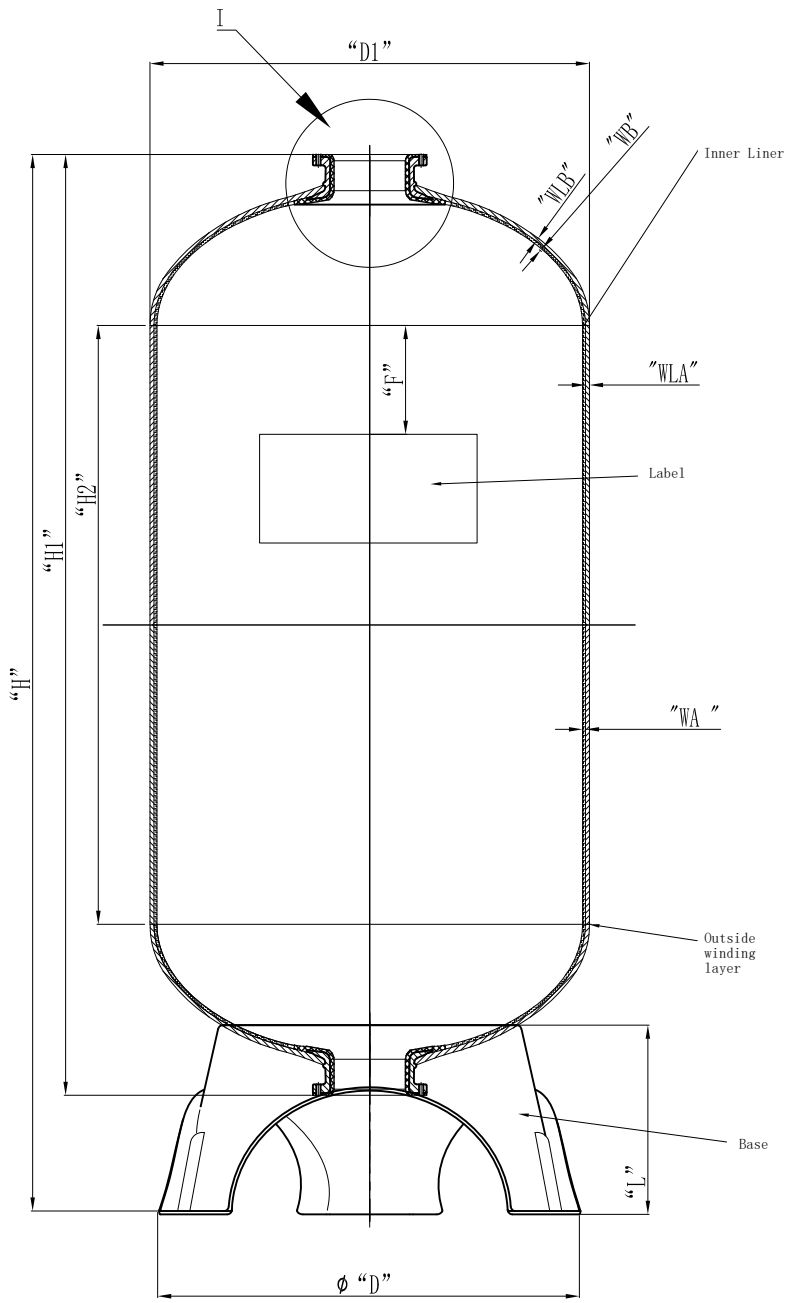


Technical Parameters

Model	Opening Size	VOL (Ltrs.)	Size Parameters (mm)											Base	Weight (kg)
			D1	D	H±30	H1	H2	L	F	WA	WLA	WB	WLB		
63×67	T/B 6"	2629.8	1601	1600	2110	1865	565	535	100	14.5	6.5	12.5	3.5	Triangular	194±15
63×86	T/B 6"	3424.5	1601	1600	2460	2215	905	535	100	14.5	6.5	12.5	3.5	Triangular	220±15



Note

1. The vacuum valve must be installed on the device.

2. Operation Instructions
 A. Max working pressure: 8bar (125Psi)
 B. Temperature Range: 1-50°C (34-127°F)
 C. Maximum vacuum: 17Kpa (5" Hg)

Remark
 1. Product type identification see outer packaging logo.
 2. The product color is consistent with the color of the tape packaging box.

Sign			Hebei Chengda WaterTechnology Co., Ltd.			
	Signature	Date	Material	FRP	Projection	Name: FRP tank
Designer	Chengyang Sun	2024. 07. 18	Model	63" in diameter, 6" top port		
Review	Jingwei Hu	2024. 07. 18	Version number: 00	Description of Change Version		
Approve			Please don't measure the size of the drawing		Unit: mm	1 Page Page 1