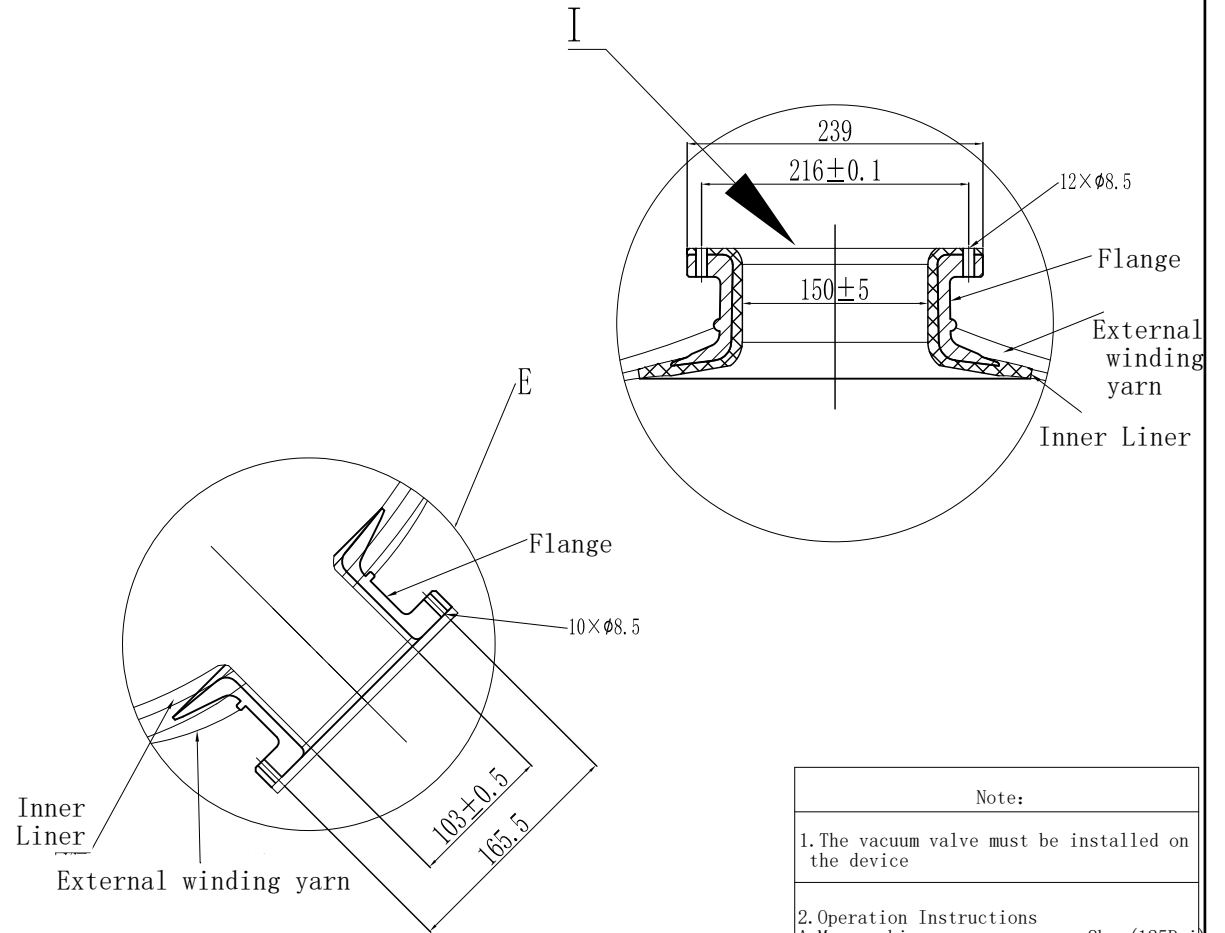
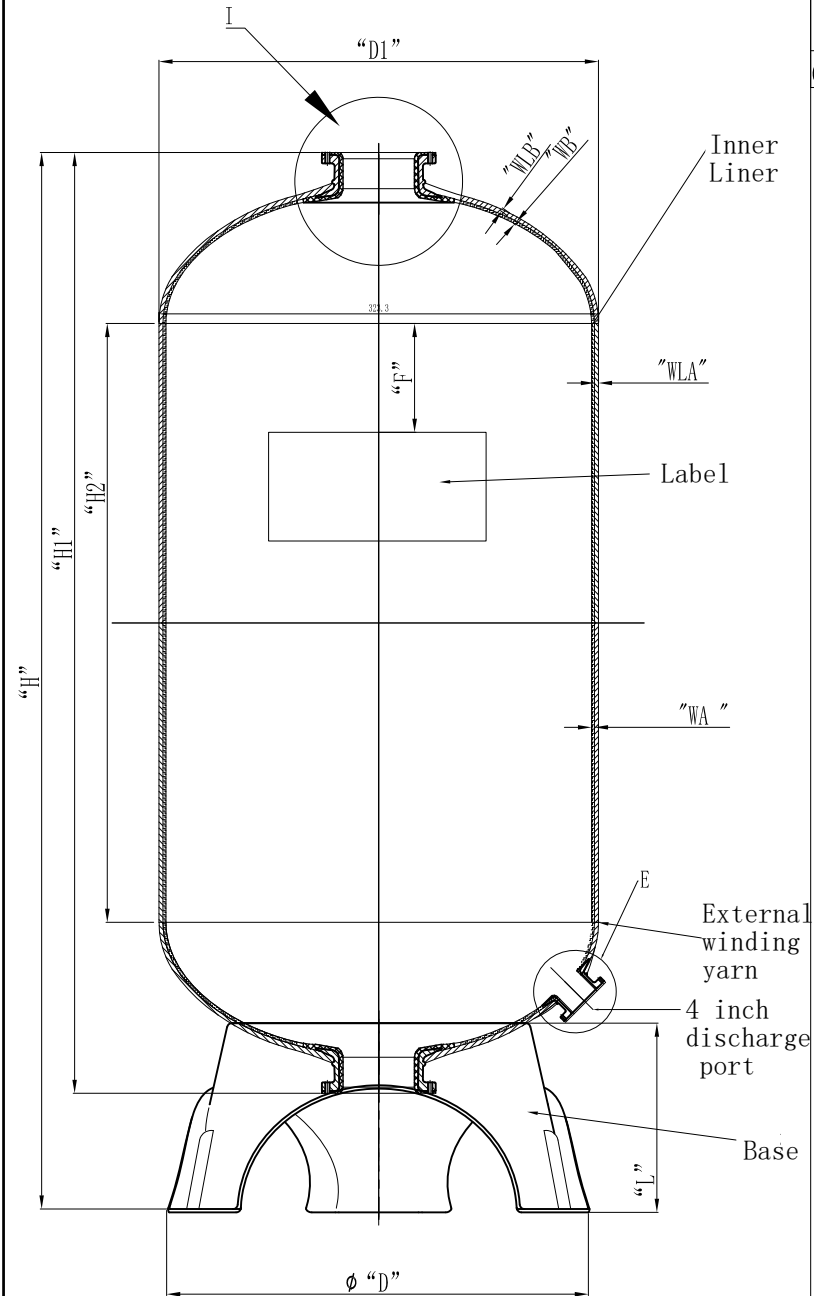


Technical Parameters

| Model | Opening Size | (Ltrs.) | Size Parameters(mm) | | | | | | | | | | | | Base | Weight (kg) |
|-------|--------------|---------|---------------------|------|------|------|------|-----|-----|------|-----|------|-----|------------|--------|-------------|
| | | | D1 | D | H±30 | H1 | H2 | L | F | WA | WLA | WB | WLB | | | |
| 60×79 | 6079-6-6-D | 3011 | 1475 | 1500 | 2425 | 2188 | 1165 | 510 | 100 | 14.5 | 8.3 | 12.5 | 5.3 | Triangular | 201±13 | |



Note:

- The vacuum valve must be installed on the device
- Operation Instructions
 - A. Max working pressure: 8bar (125Psi)
 - B. Temperature Range: 1-50°C (34-127°F)
 - C. Maximum vacuum: 17Kpa (5" Hg)

Remark

- Product type identification see outer packaging logo.
- The product color is consistent with the color of the tape packaging box.

| Sign | | Hebei Chengda WaterTechnology Co., Ltd. | | | |
|----------|---------------|---|--|---------------------------------|-----------------------------|
| | Signature | Date | Material: | FRP | Projection: |
| Designer | Chengyang Sun | 2024.07.18 | Model: | 60",6"T/B 4-inch discharge port | Name: FRP tank |
| Review | Jingwei Hu | 2024.07.18 | Version number: 00 | Description of Change Version: | Drawing No.: CD-22-09-27/56 |
| Approve | | | Please don't measure the size of the drawing | | |
| | | | Unit: mm | 1 Page | Page 1 |