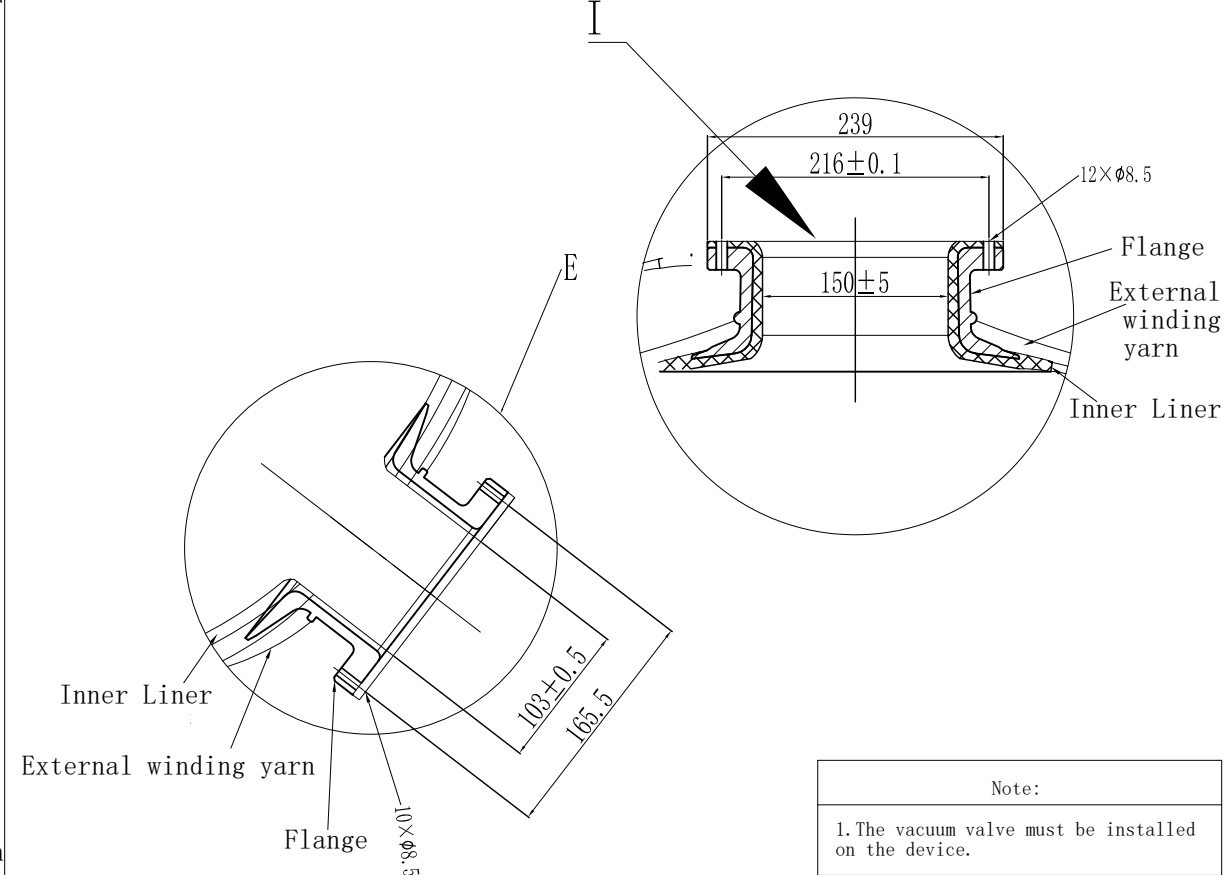


Technical Parameters															
Model	Opening Size	VOL (Ltrs.)	Size Parameters (mm)											Base	Weight (kg)
			D1	D	H±30	H1	H2	L	F	WA	WLA	WB	WLB		
36×65	3665-6-6-D	860.0	906	900	1980	1765	1120	398	100	9.5	4.5	9.5	3	Triangular	72±5
36×72	3672-6-6-D	969.2	906	900	2160	1945	1300	398	100	9.5	4.5	9.5	3	Triangular	78±5



Note:

- The vacuum valve must be installed on the device.
- Operation Instructions
 - A. Max working pressure: 8bar (125Psi)
 - B. Temperature Range: 1-50°C (34-127°F)
 - C. Maximum vacuum: 17Kpa (5" Hg)

Sign			Hebei Chengda WaterTechnology Co., Ltd.			
	Signature	Date	Material:	FRP	Name: FRP tank	
Designer	Chengyang Sun	2024.07.18	Model:	36", 6"T/B with 4-inch discharge port		
Review	Jingwei Hu	2024.07.18	Version 00 number	Description of Change Version	Drawing No.: CD-22-09-27/39	
Approve			Please don't measure the size of the drawing		Unit: mm	1 Page Page 1