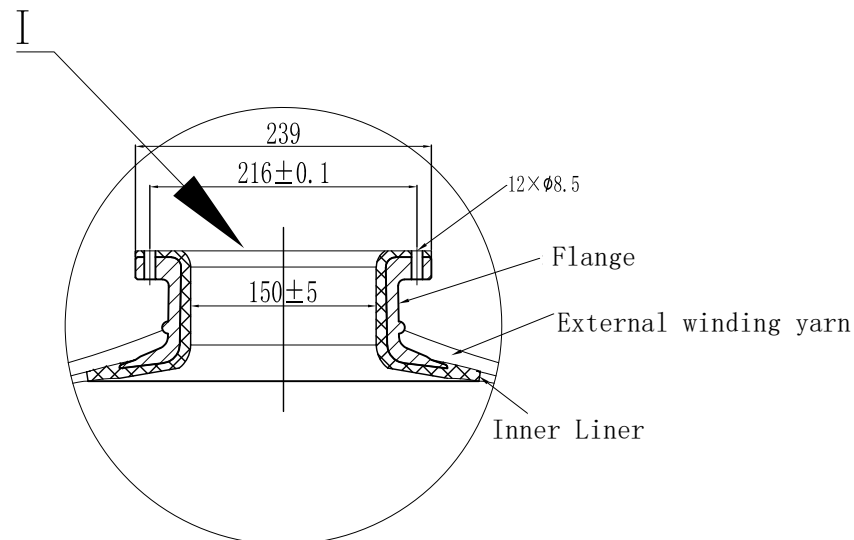


Technical Parameters															
Model	Opening Size	VOL (Ltrs.)	Size Parameters (mm)											Base	Weight (kg)
			D1	D	H±25	H1	H2	L	F	WA	WLA	WB	WLB		
36×65	T/B 6"	860.0	906	900	1980	1765	1120	398	100	9.5	4.5	9.5	3	Triangular	68±5
36×72	T/B 6"	969.2	906	900	2160	1945	1300	398	100	11	6	9.5	3	Triangular	74±5



Note:

- The vacuum valve must be installed on the device.
- Operation Instructions
  - A. Max working pressure: 8Bar (125Psi)
  - B. Temperature Range: 1-50°C (34-127°F)
  - C. Maximum vacuum: 17Kpa (5" Hg)

Sign			Hebei Chengda WaterTechnology Co., Ltd.			
	Signature	Date	Material:	FRP	Projection:	
Designer	Chengyang Sun	2024.07.18	Model:	36", 6"T/B	Name:	FRP tank
Review	Jingwei Hu	2024.07.18	Version number:	00	Description of Change Version	Drawing No. : CD-22-09-27/36
Approve			Please don't measure the size of the drawing		Unit:mm	1 Page Page 1