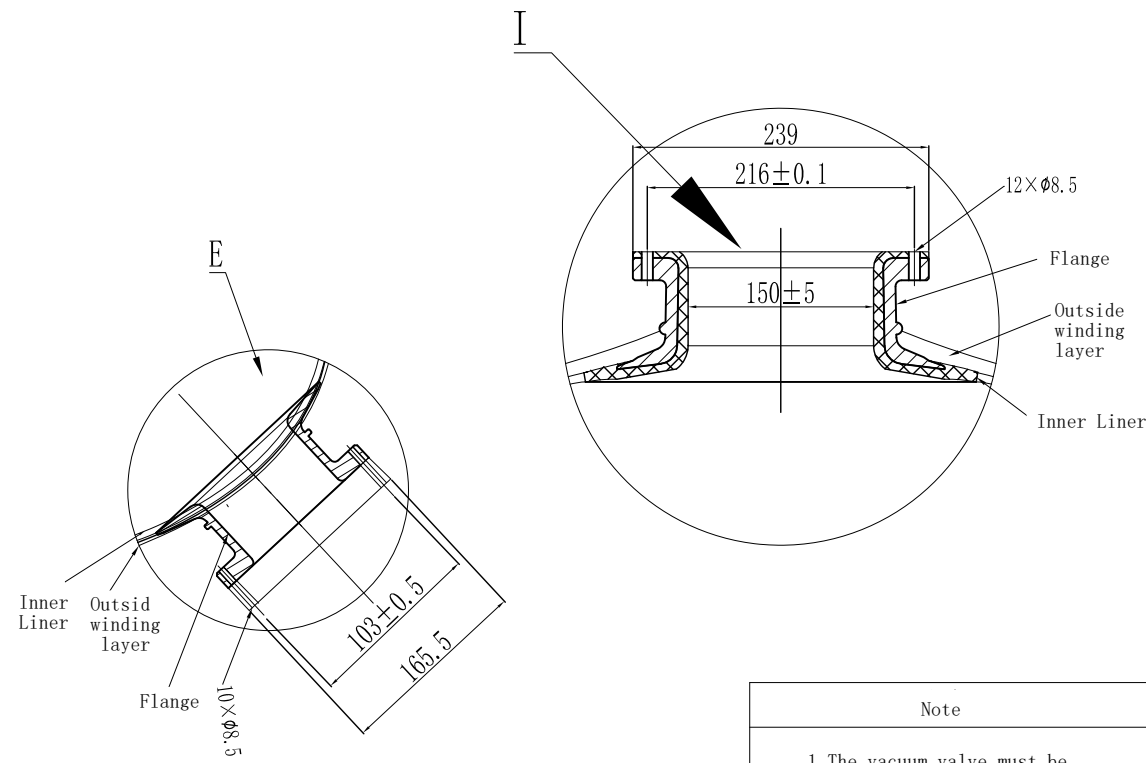
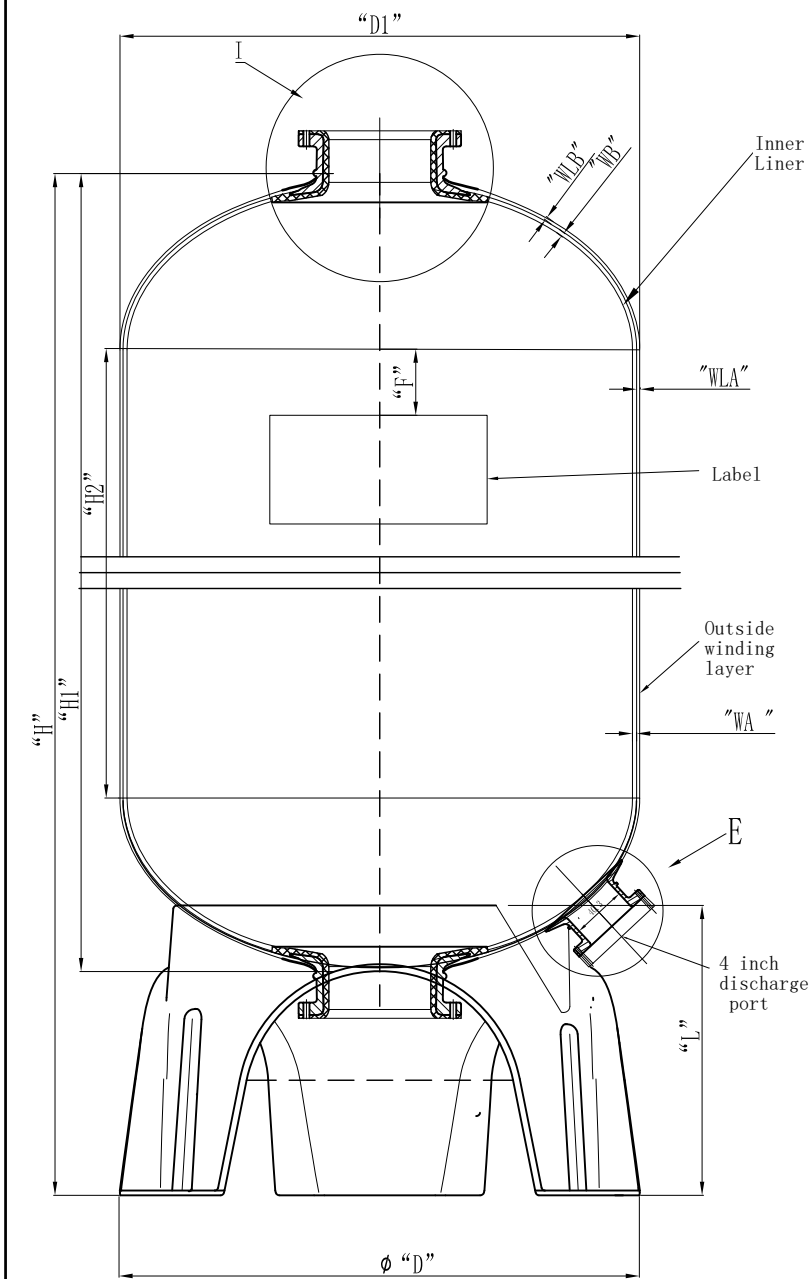


Technical Parameters

Model	Opening Size	VOL (Ltrs.)	Size Parameters (mm)											Base	Weight (kg)
			D1	D	H±25	H1	H2	L	F	WA	WLA	WB	WLB		
30×65	3065-6-6-D	616.4	763	750	2060	1810	1130	426	100	8.5	3.5	8.5	2.5	Triangular	62±4
30×72	3072-6-6-D	718.9	763	750	2240	1990	1300	426	100	8.5	3.5	8.5	2.5	Triangular	70±4



Note

- The vacuum valve must be installed on the device.
- Operation Instructions
  - A. Max working pressure: 8bar (125Psi)
  - B. Temperature Range: 1-50°C (34-127°F)
  - C. Maximum vacuum: 17Kpa (5" Hg)

Remark

- Product type identification see outer packaging logo.
- The product color is consistent with the color of the tape packaging box.

Sign			Hebei Chengda WaterTechnology Co., Ltd.		
	Signature	Date	Material	FRP	Projection
Designer	Chengyang Sun	2024.07.18	Model	30" up and down 6" with 4" discharge port	Name: FRP tank
Review	Jingwei Hu	2024.07.18	Version number: 00	Description of Change Version	Drawing No. CD-22-09-27/01
Approve			Please don't measure the size of the drawing		Unit: mm