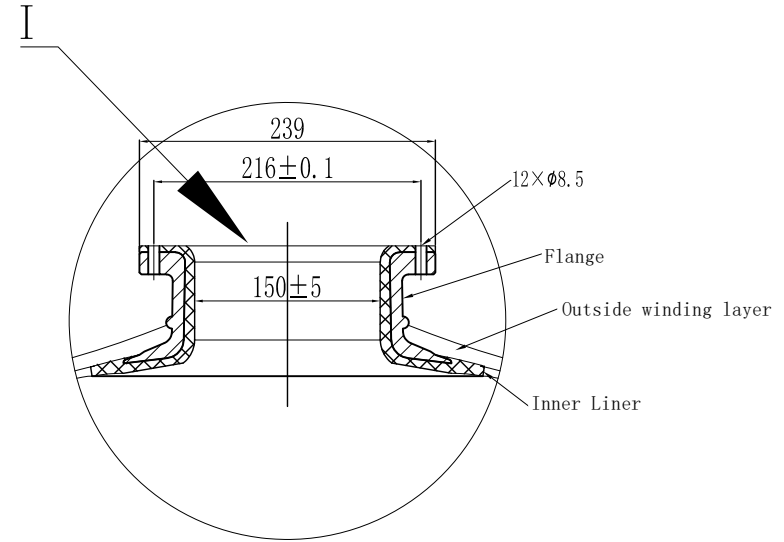
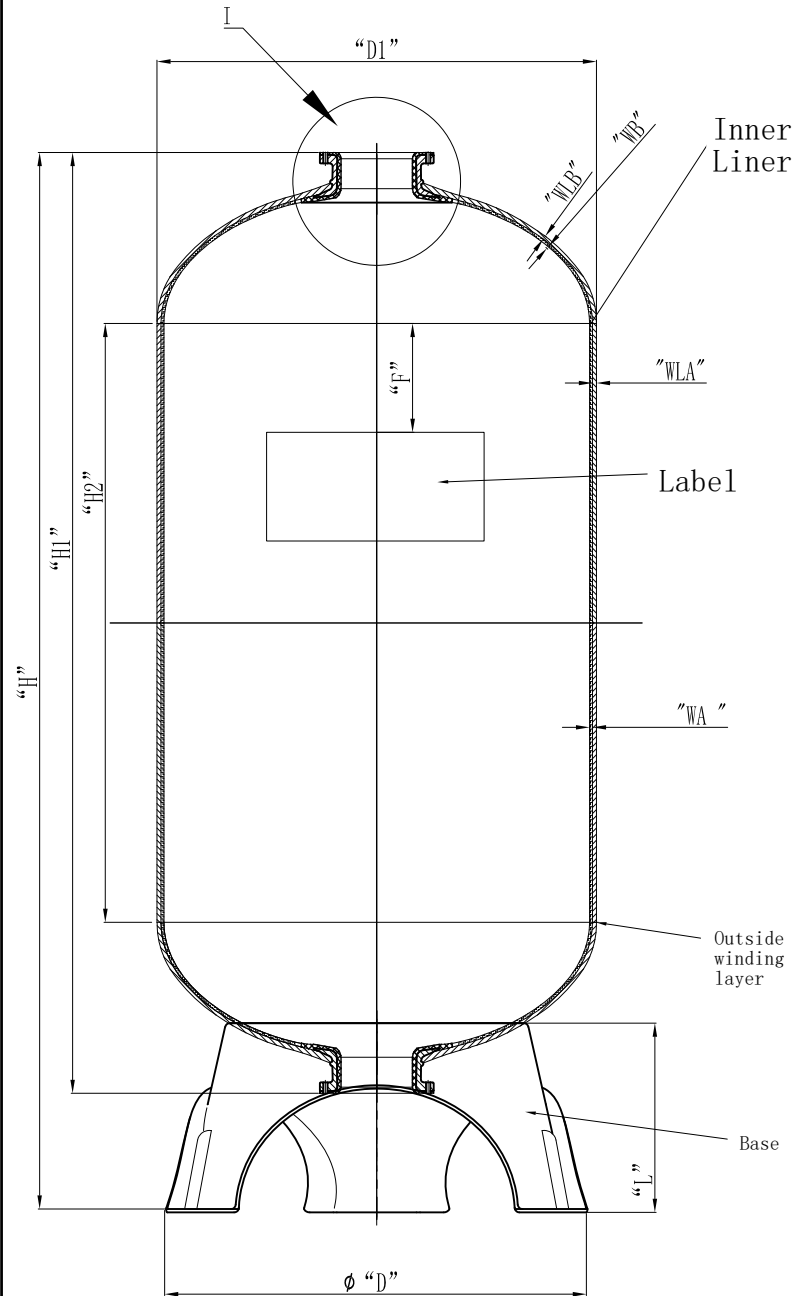


Technical Parameters

Model	Opening Size	VOL (Ltrs.)	Size Parameters (mm)											Base	Weight (kg)
			D1	D	H±25	H1	H2	L	F	WA	WLA	WB	WLB		
30×65	T/B 6"	616.4	765	750	2060	1810	1130	426	100	9	4	8.5	2.5	Triangular	57±4
30×72	T/B 6"	718.9	763	750	2240	1990	1300	426	100	9	4	8.5	2.5	Triangular	65±4



Note

1. The vacuum valve must be installed on the device.

2. Operation Instructions  
 A. Max working pressure: 8bar (125Psi)  
 B. Temperature Range: 1-50°C (34-127°F)  
 C. Maximum vacuum: 17Kpa (5" Hg)

Remark  
 1. Product type identification see outer packaging logo.  
 2. The product color is consistent with the color of the tape packaging box.

Sign		Hebei Chengda WaterTechnology Co., Ltd.		
	Signature	Date	Material	FRP
Designer	Chengyang Sun	2024.07.18	Model	30" in diameter, 6.6" top port
Review	Jingwei Hu	2024.07.18	Version number: 00	Description of Change Version
Approve			Please don't measure the size of the drawing	
		Unit: mm		1 Page Page 1

Drawing No. CD-22-09-27/01