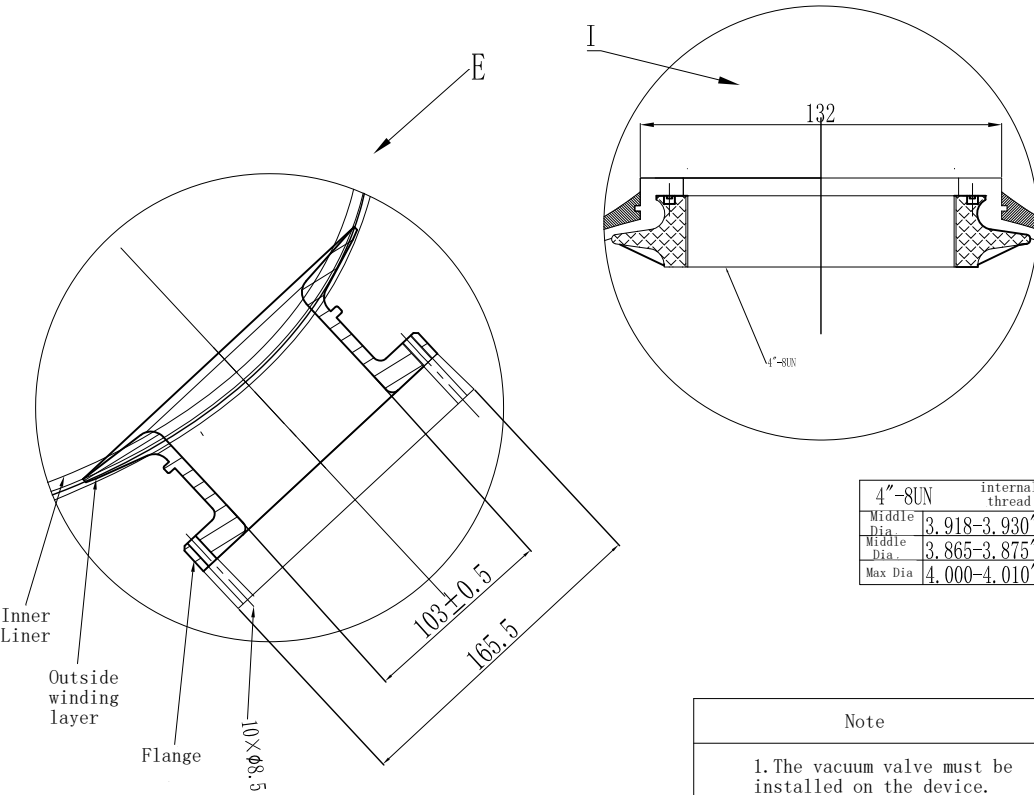
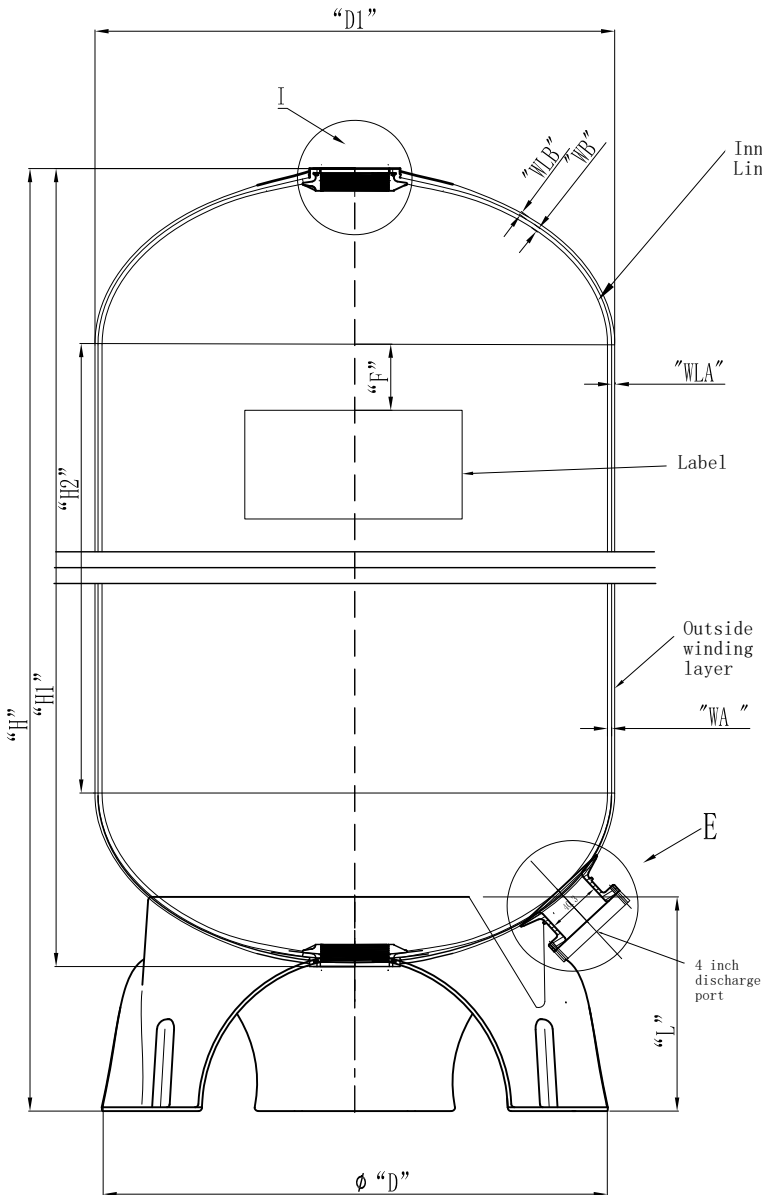


Technical Parameters

Model	Opening Size	VOL (Ltrs.)	Size Parameters (mm)											Base	Weight (kg)
			D1	D	H±25	H1	H2	L	F	WA	WLA	WB	WLB		
30×65	3065-4-4-D	616.4	763	750	1855	1615	1130	315	100	8.5	3.5	8.5	2.5	Triangular	54±4
30×72	3072-4-4-D	696.1	763	750	2035	1795	1300	315	100	8.5	3.5	8.5	2.5	Triangular	62±4



4"-8UN	internal thread
Middle Dia.	3.918-3.930"
Middle Dia.	3.865-3.875"
Max Dia	4.000-4.010"

Note

1. The vacuum valve must be installed on the device.

2. Operation Instructions
 A. Max working pressure: 8bar (125Psi)
 B. Temperature Range: 1-50°C (34-127°F)
 C. Maximum vacuum: 17Kpa (5" Hg)

Remark

- Product type identification see outer packaging logo.
- The product color is consistent with the color of the tape packaging box.

Sign			Hebei Chengda WaterTechnology Co., Ltd.			
Designer	Chengyang Sun	2024.07.18	Material	FRP	Projection	
Review	Jingwei Hu	2024.07.18	Model	30" up and down 4" with 4" discharge port	Name: FRP tank	
Approve			Version number: 00	Description of Change Version	Drawing No. CD-22-09-27/01	
			Please don't measure the size of the drawing		Unit: mm	1 Page Page 1