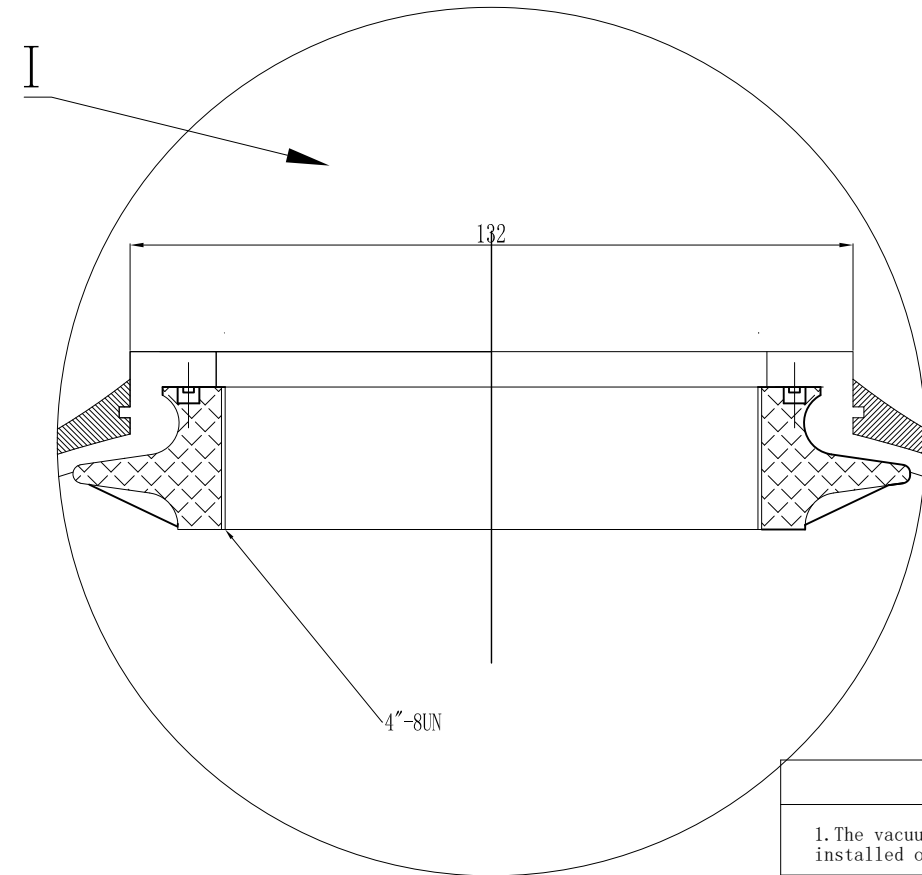
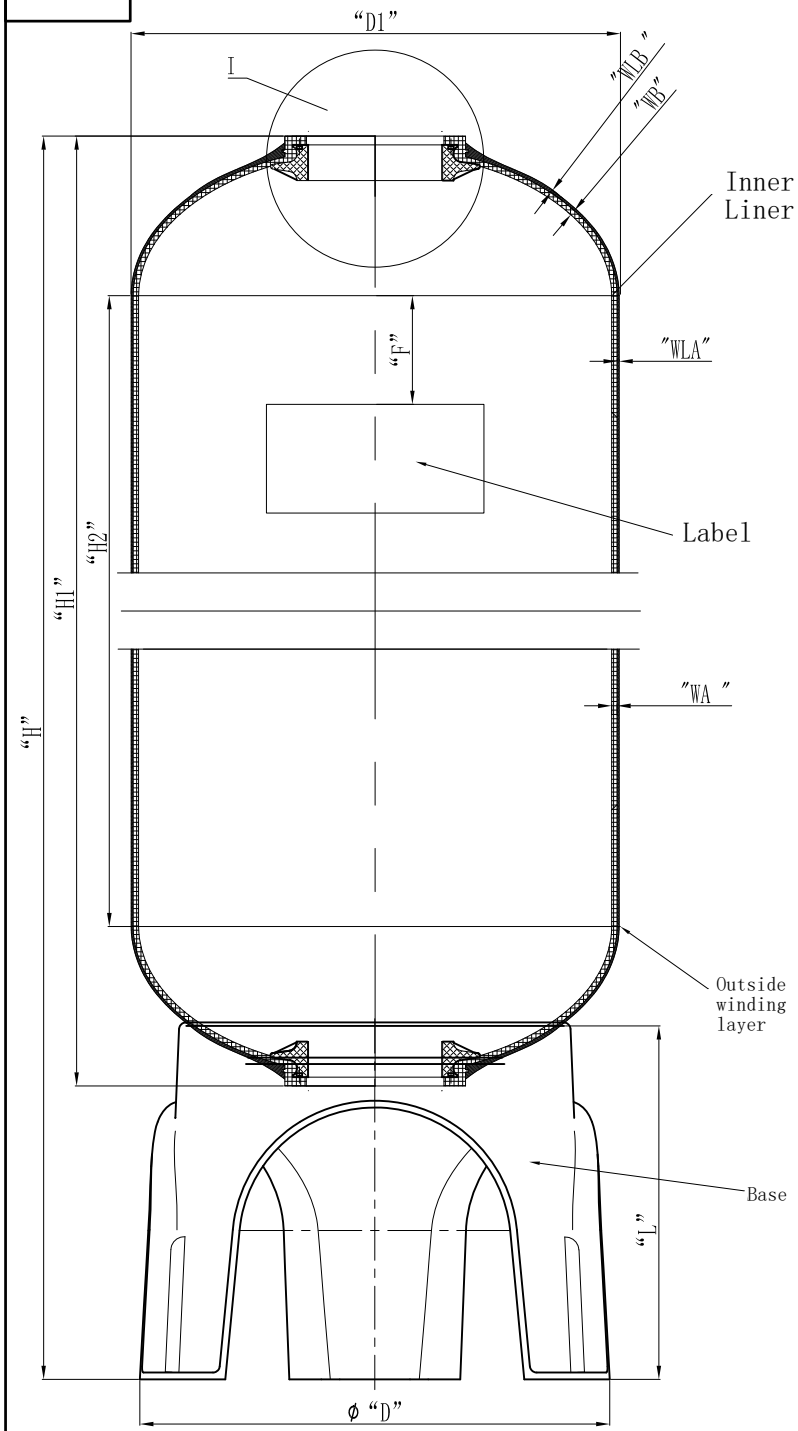


Technical Parameters

Model	Opening Size	VOL (Ltrs.)	Size Parameters (mm)											Base	Weight (kg)
			D1	D	H±10	H1	H2	L	F	WA	WLA	WB	WLB		
16×52	T/B 4"	150.1	417	415	1534	1317	1060	282	100	6	2.5	6	1.8	Triangular	12.4±1
16×65	T/B 4"	191.7	417	415	1877	1660	1365	282	100	6	2.5	6	1.8	Triangular	14.9±1



4"-8UN	internal thread
Middle Dia	3.918-3.930"
Min Dia	3.865-3.875"
Max Dia	4.000-4.010"

Note

1. The vacuum valve must be installed on the device.

Operation Instructions
 A. Max working pressure 8 bar (125Psi)
 B. Temperature Range: 1-50°C (34-127°F)
 C. Maximum vacuum: 17Kpa (5" Hg)

Remark
 1. Product type identification see outer packaging logo.
 2. The product color is consistent with the color of the tape packaging box.

Sign		Hebei Chengda WaterTechnology Co., Ltd.			
	Signature	Date	Material	FRP	Projection
Designer	Chengyang Sun	2024. 07. 18	Model	16" in diameter, 4.4" top port	Name: FRP tank
Review	Jingwei Hu	2024. 07. 18	Version number: 00	Description of Change Version	Drawing No. CD-22-09-27/01
Approve			Please don't measure the size of the drawing		Unit: mm
					1 Page Page 1