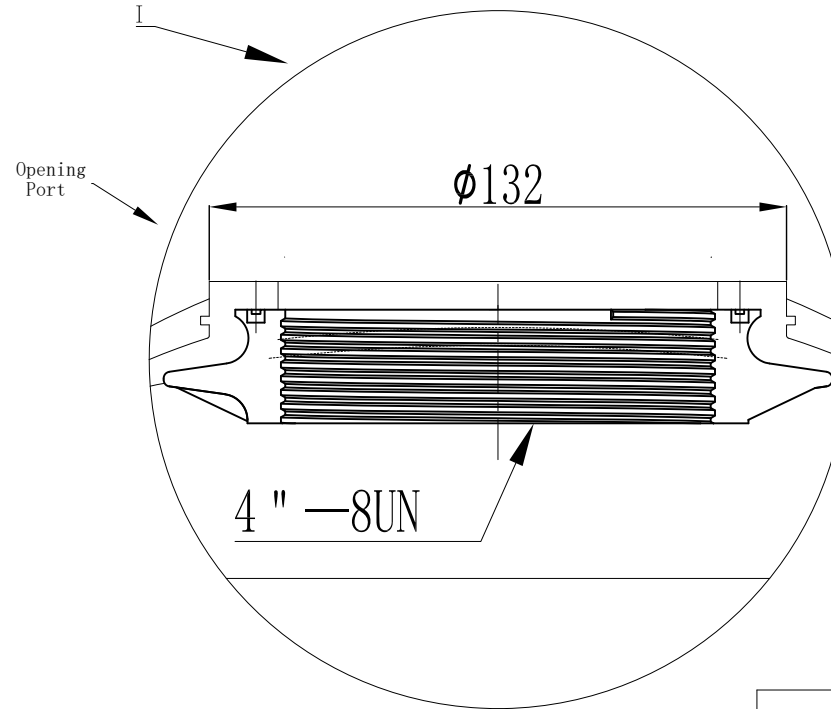
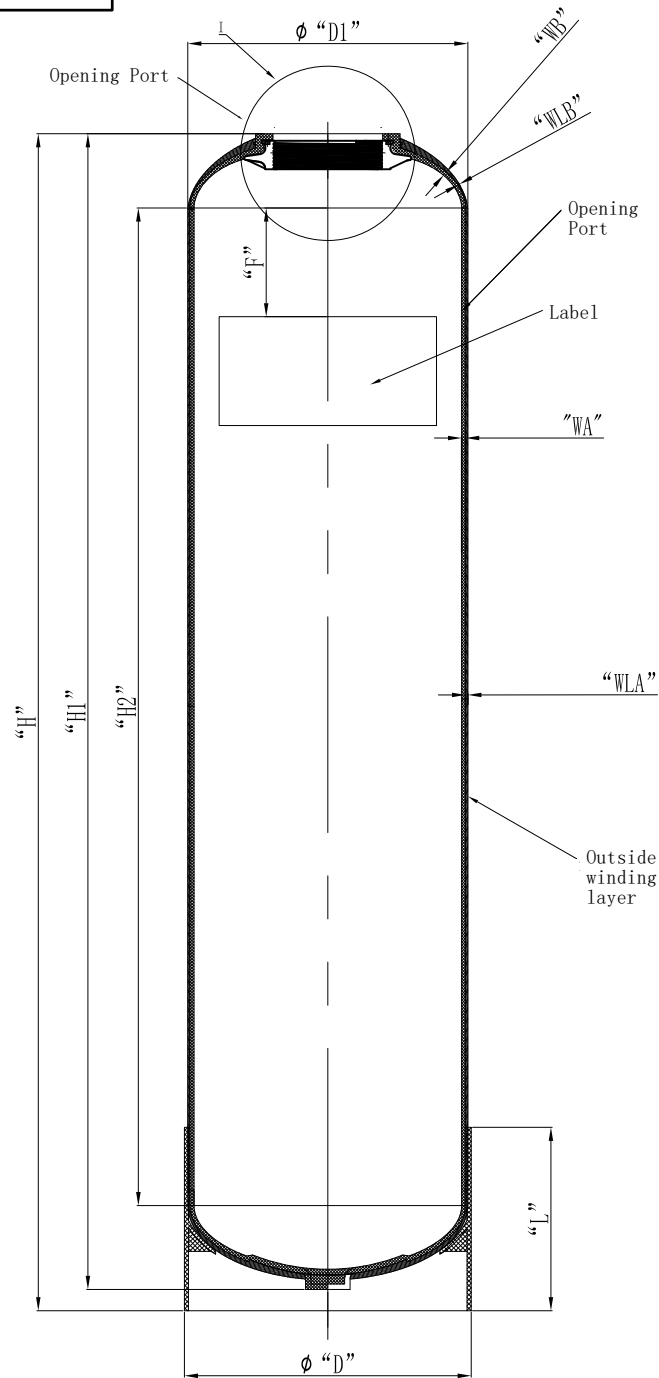


Technical Parameters

Model	Opening Size	VOL (Ltrs.)	Size Parameters (mm)											Base	Weight (kg)
			D1	D	H±6	H1	H2	L	F	WA	WLA	WB	WLB		
10X54	T 4"	62.5	258	266	1380	1366	1195	146	100	4.8	1.8	5	1	Standand	6±0.4



4" - 8UN	internal thread
Middle Dia	3.918-3.930"
Min Dia	3.865-3.875"
Max Dia	4.000-4.010"

Remark
 1. Product type identification see outer packaging logo.
 2. The product color is consistent with the color of the tape packaging box.

Note

- The vacuum valve must be installed on the device.
- Operation Instructions
 - Max working pressure 8 bar (125Psi)
 - Temperature Range: 1-50°C (34-127°F)
 - Maximum vacuum: 17Kpa (5" Hg)

Sign

Signature		Date	Hebei Chengda WaterTechnology Co., Ltd.			
Designer	Chengyang Sun	2024.07.18	Material	FRP	Projection	
Review	Jingwei Hu	2024.07.18	Model	10" in diameter, 4" top port	Name:	FRP tank
Approve			Version number: 00	Description of Change Version		Drawing No. CD-22-09-27/01
			Please don't measure the size of the drawing		Unit: mm	I Page Page 1