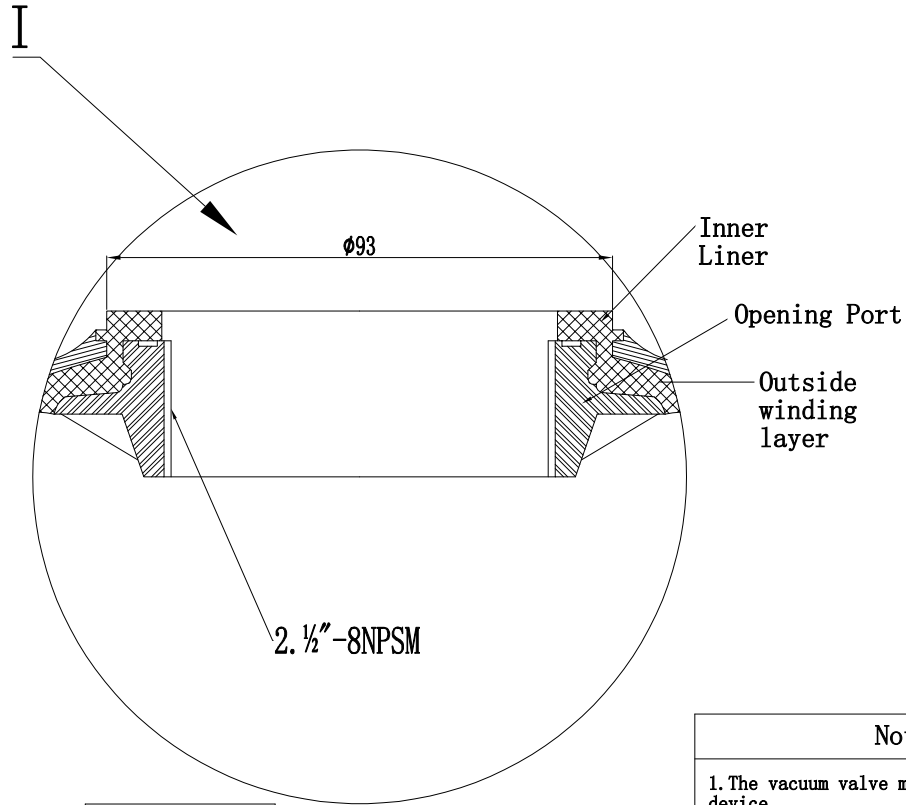


Technical Parameters															
Model	Opening Size	VOL (Ltrs.)	Size Parameters (mm)											Base	Weight (kg)
			D1	D	H±6	H1	H2	L	F	WA	WLA	WB	WLB		
10×17	2.5" T/B	16.4	258	266	563	425	245	285	50	5	2	5	1	Cylindrical high	3.6±0.2
10×24	2.5" T/B	25.0	258	266	755	617	425	285	100	5	2	5	1	Cylindrical high	4.4±3
10×54	2.5" T/B	62.5	258	266	1522	1363	1195	285	100	5	2	5	1	Cylindrical high	7.0±0.4



2. 1/2"-8NPSM Internal thread	
Middle Dia	2.762-2.768"
Min Dia	2.705-2.715"
Max Dia	2.843-2.849"

**Note:**

- The vacuum valve must be installed on the device.
- Operation Instructions:
  - A. Max working pressure: 10.5Bar(150Psi)
  - B. Temperature Range: 1-50°C (34-127°F)
  - C. Maximum vacuum: 17Kpa (5"Hg)

**Remark**  
 1. Product type identification see outer packaging logo.  
 2. The product color is consistent with the color of the tape packaging box.

Sign			Hebei Chengda WaterTechnology Co., Ltd.			
	Signature	Date	Material:	FRP	Projection:	
Designer	Chengyang Sun	2024. 7. 16	Model:	10" 2.5" T/B	Name:	FRP tank
Review	Jingwei Hu	2024. 7. 18	Version number: 00	Description of Change Version	Drawing No.	CD-23-04-05/000
Approve			Please don't measure the size of the drawing		Unit: mm	1 Page Page 1